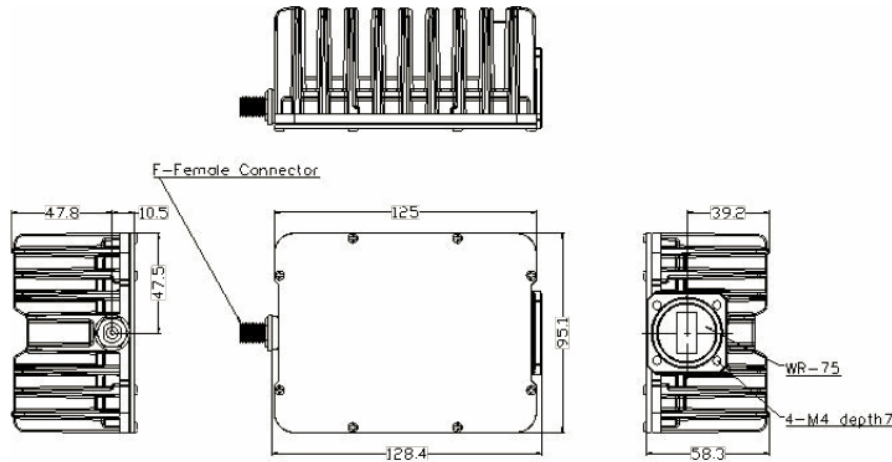


# DATASHEET, BUC-ELMTKU003 3W KU-BAND



- Small size, ideal for feed mounting
- 18 frequency options available
- RoHS Compliant



## Specifications

Model	BUC-ELMTKU003-S	BUC-ELMTKU003-E
Output Frequency (GHz)	14.0 - 14.5	13.75 - 14.5
L.O. frequency (GHz)	13.05	12.80
Input Frequency(MHz)	950 - 1450	950 - 1700
Output Power P1dB	34 dBm	
External Reference	10 MHz	
Reference Power Level	-5 dBm to +5 dBm	
Phase noise (SSB)		
100Hz	-65 dBc/Hz	
1kHz	-75 dBc/Hz	
10kHz	-85 dBc/Hz	
100kHz	-95 dBc/Hz	
Linear gain	55 dB	
Gain flatness	+/-4.0 dB p-p,max over full band +/-1.5 dB p-p over full 54 MHz	
Gain variation over temperature	-4.0 dB p-p over operation range	
Gain variation over 24 hrs	+/-0.5 dB max at constant temp	
Intermodulation With 2 equal carriers at 3 dB total power backoff from rated power	-25 dBc @ Plinear	
Spectral Regrowth (typical) At 2 dB below rated output power at 1.0x symbol rate offset for OQPSK or QPSK	-26 dBc	
AM/PM Conversation (up to 2 dB below rated Output Power)	2 deg/dB	
Max Input Power without damage	13 dBm	
Output Spurious -In Band	-60 dBc	
-Out Band	-50 dBc	
Noise power density	-90 dBm/Hz in Tx -156 dBm/Hz in Rx	
Input VSWR	2.0:1	
Output VSWR	2.0:1	
Input interface	N(f) 50 Ω; F(f) 75 Ω	
Output Waveguide	WR-75	
Power		
Power requirements	+15 to +24 VDC over IFL	
Power Consumption	20 W max	
Operating Temperature	-40 to +55°C	
Dimensions (L x W x H)	129 x 95 x 58 mm	
Weight	0.7 kg	
Enclosed Accesories	O-Ring (1 pc) Screws(4 pc)	