

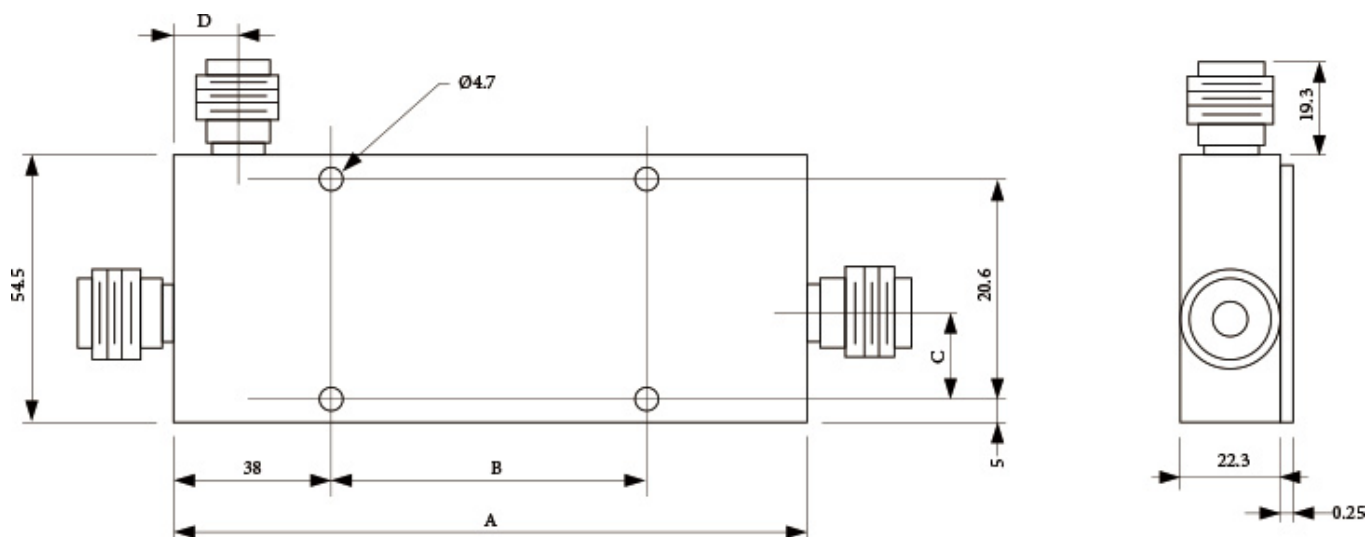
DATASHEET, 3000, Coaxial Directional Couplers

- Average power:200/500W coaxial directional couplers
- Peak Power:10 kW
- Impedance:50Ω
- High Directivity
- Ruggedized Construction
- Low VSWR



Specifications					
Model		3000-10	3000-20	3000-30	
Frequency (GHz)		0.226-0.460	0.226-0.460	0.226-0.460	
Calibration Frequency (GHz)		0.225 , 0.280 , 0.350 , 0.410 , 0.460			
Nominal Coupling(dB)		10	20	30	
Directivity(dB)		30	30	30	
Insertionloss (dB max.)	Excluding Coupled Power	0.20	0.20	0.20	
	True	0.70	0.20	0.20	
VSWR (max)	Primary line (max.)	1.10	1.10	1.10	
	Secondary line(max.)	1.15	1.15	1.15	
Absolute Calibration Accuracy (dB per10 dB step)		±0.1	±0.1	±0.1	
Maximum Deviation From Nominal (dB)		±1.2	±1.2	±1.2	
Incident Power(W)	10(dB)	200	200	200	
	20,30(dB)	500	500	500	
Reflected Power (W)	10(dB)	50	50	50	
	20,30(dB)	500	500	500	
Peak(kW)		10	10	10	
Connetors		N (F)	N (F)	N (F)	
Weight (kg)		0.091	0.091	0.091	

Size:



Model	A (mm)	B (mm)	C (mm)	D (mm)
3000-10,20	271.27	76.2±0.381	22.09	12.70
3000-30	271.27	76.2±0.381	17.52	12.70