

DATASHEET, 4011C, Coaxial Couplers

- Average power:50W coaxial couplers series
- Impedance:50Ω
- Smallest,Lightest units available
- Highest directivity,Lowest VSWR
- Operational to 105°C without Degradation (125°C storage)
- SMA Connetor



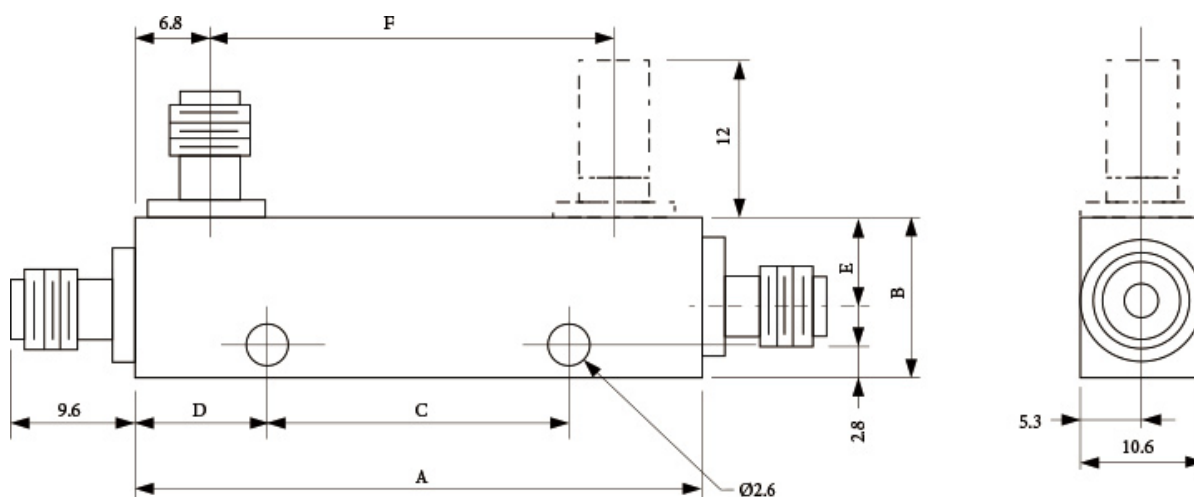
Specifications

Model	4011C-10	4011C-20	4012C-6	4012C-10	4012C-20	4012C-30
Frequency (GHz)	0.5-1	0.5-1	1-2	1-2	1-2	1-2
Coupling(dB)	10±1.25	20±1.25	6±1.00	10±1.25	20±1.25	30±1.25
Directivity(dB)	25	25	25	25	27	27
Insertionloss True(dB)	Excluding Power	0.2	0.2	0.2	0.2	0.2
	True	0.8	0.8	1.8	0.9	0.2
Power Input (W)	50	50	50	50	50	50
Reflected Power	AVG (W)	5	50	2	5	50
	Peak(kW)	3	3	3	3	3
VSWR (max)	Primary line (max.)	1.15	1.15	1.15	1.10	1.10
	Secondary line(max.)	1.15	1.15	1.15	1.10	1.10
Frequency Sensitivity (dB max.)	±0.75	±0.75	±0.60	±0.75	±0.75	±0.75
Connetor Type	SMA (F)	SMA (F)	SMA (F)	SMA (F)	SMA (F)	SMA (F)
Weight (kg)	0.037	0.034	0.026	0.026	0.026	0.026

* Frequency Sensitivity included in coupling

** Special order devices. Minimum quantity may apply.

Size:



Model	A (mm)	B (mm)	C (mm)	D (mm)	E (mm)	F (mm)
4011C-10	77.72	14.73	38.1	19.81	8.63	64.00
4011C-20	77.21	13.97	44.45	16.51	7.62	63.50
4012C-6	46.22	13.97	23.82	11.17	7.62	32.51
4012C-10,20	46.22	13.97	23.82	11.17	7.62	32.51
4012C-30	46.22	13.97	23.82	11.17	8.63	32.51