

## DATASHEET, 4016, Coaxial Couplers

- Average power:50W coaxial couplers series
- Impedance:50Ω
- Smallest,Lightest units available
- Highest directivity,Lowest VSWR
- Operational to 105°C without Degradation (125°C storage)
- SMA Connetor



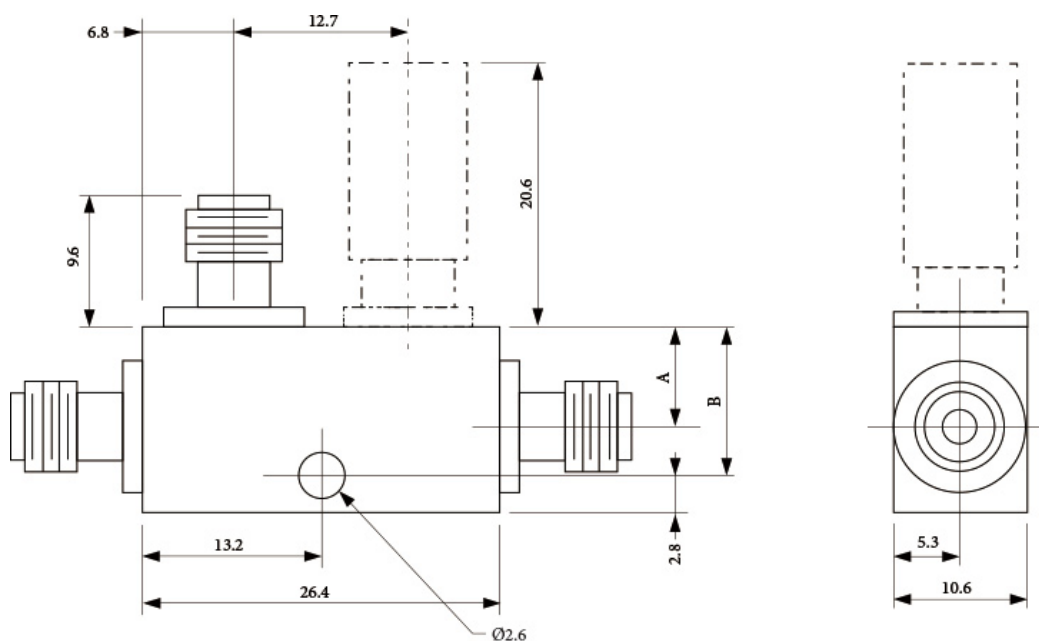
### Specifications

Model		4016D-6	4016D-10	4016C-20	4016C-30
Frequency (GHz)		12.4-18	12.4-18	12.4-18	12.4-18
Coupling(dB)		6±1.00	10±1.00	20±1.00	30±1.00
Directivity(dB)		15	15	15	15
Insertionloss True(dB)	Excluding Power	0.3	0.3	0.5	0.5
	True	2.00	0.85	0.55	0.55
Power Input (W)		50	50	50	50
Reflected Power	AVG (W)	2	5	50	50
	Peak(kW)	1	1	1	1
VSWR (max)	Primary line (max.)	1.35	1.30	1.30	1.30
	Secondary line(max.)	1.40	1.40	1.40	1.40
Frequency Sensitivity(dB max.)		±0.50	±0.50	±0.50	±0.50
Connetor Type		SMA (F)	SMA (F)	SMA (F)	SMA (F)
Weight (kg)		0.020	0.020	0.023	0.023

\* Frequency Sensitivity included in coupling

\*\* Special order devices. Minimum quantity may apply.

Size:



Model	A (mm)	B (mm)
4016D-6, 10	7.62	13.97
4016C-20, 30	10.92	17.01