

# DATASHEET, 4018, Coaxial Couplers

- Average power:20W coaxial couplers series
- Impedance:50Ω
- Low frequency sensitivity
- High directivity
- 2.92 mm Connector



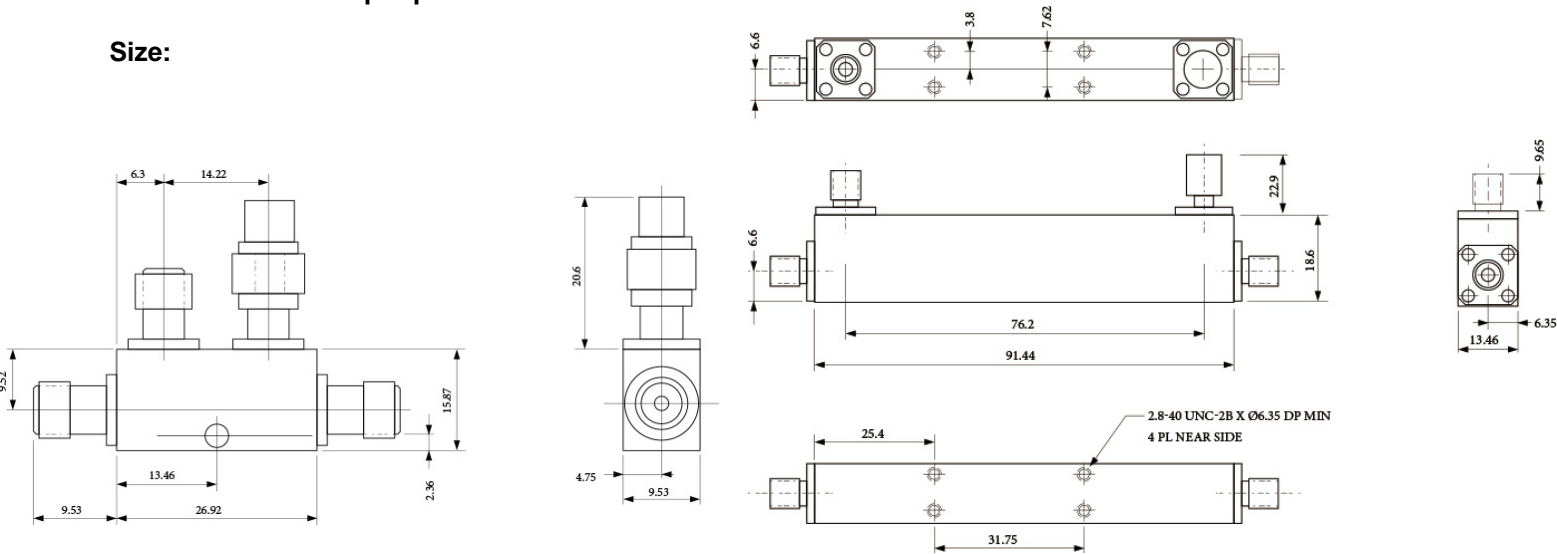
## Specifications

Model	4018-10	4018-20	4229-10	4229-10	4229-10
Frequency (GHz)	18-40	18-40	1-20	20-26	26-40
Coupling(dB)	10±1.25	20±1.25	10±1.5*	10±1.5*	10±1.5*
Directivity(dB)	12	12	15	13	12
Insertionloss True(dB)	2.0	1.45	1.5	2.0	2.4
Average Power(W)	20	20	20	20	20
Peak(kW)	0.2	0.2	3	3	3
VSWR (max)	Primary line (max.)	1.9	1.9	1.6	1.7
	Secondary line(max.)	1.9	1.9	1.6	1.75
Frequency Sensitivity(dB max.)	±0.8	±0.8	±1.0*	±1.0*	±1.0*
Connetor Type	2.92mm (F)	2.92mm (F)	2.92mm (F)	2.92mm (F)	2.92mm (F)
Weight (kg)	0.028	0.028	0.090	0.090	0.090

\* Frequency Sensitivity included in coupling

\*\* Referenced to output port

Size:



Model	A (mm)	B (mm)	C (mm)
4018-10,20	45.98	15.87	9.53

Model	A (mm)	B (mm)	C (mm)
4229-10	110.5	18.54	13.46