

DATASHEET, 4777, Coaxial Fixed Attenuators

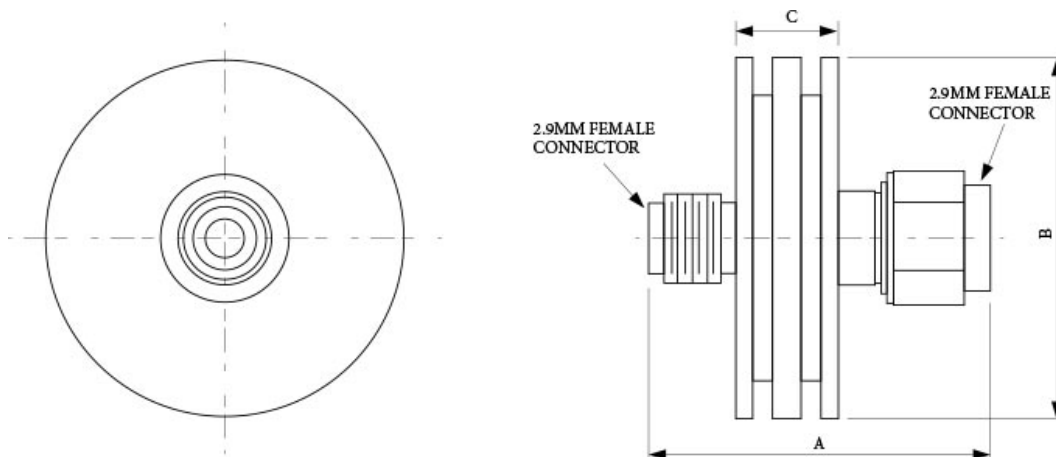
- Average power:3 ~ 6W coaxial attenuators series
- Peak Power:0.2 kW max
- Impedance:50Ω
- Small size and light weight
- Low VSWR
- 2.92 mm Connectors



Model	Frequency (GHz)	Attenuation dB (Nominal)	Attenuation dB (Deviation DC-40)	Average Power (W)	VSWR (max)	Connector Type
4777-3	DC-40	3	±0.8	6.0	1.4	2.92 mm (M,F)
4777-6	DC-40	6	±0.8	4.0	1.4	2.92 mm (M,F)
4777-10	DC-40	10	±0.8	3.3	1.4	2.92 mm (M,F)
4777-20	DC-40	20	±0.8	3.0	1.4	2.92 mm (M,F)

*Temperature Coefficient: 0.0006 dB/dB/°C; Power Coefficient: 0.0005 dB/dB/W

Size:



Model	A (mm)	B (mm)	C (mm)	Weight (kg)
4777	25.61	Φ25.4	7.37	0.015