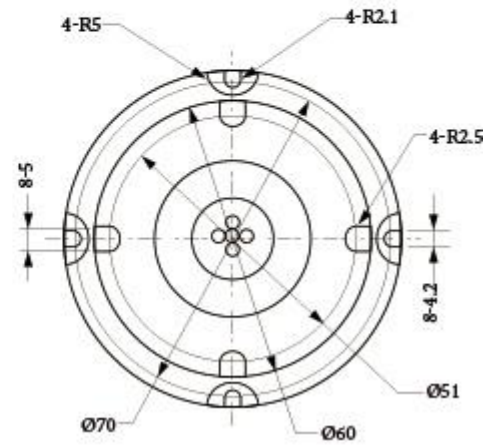
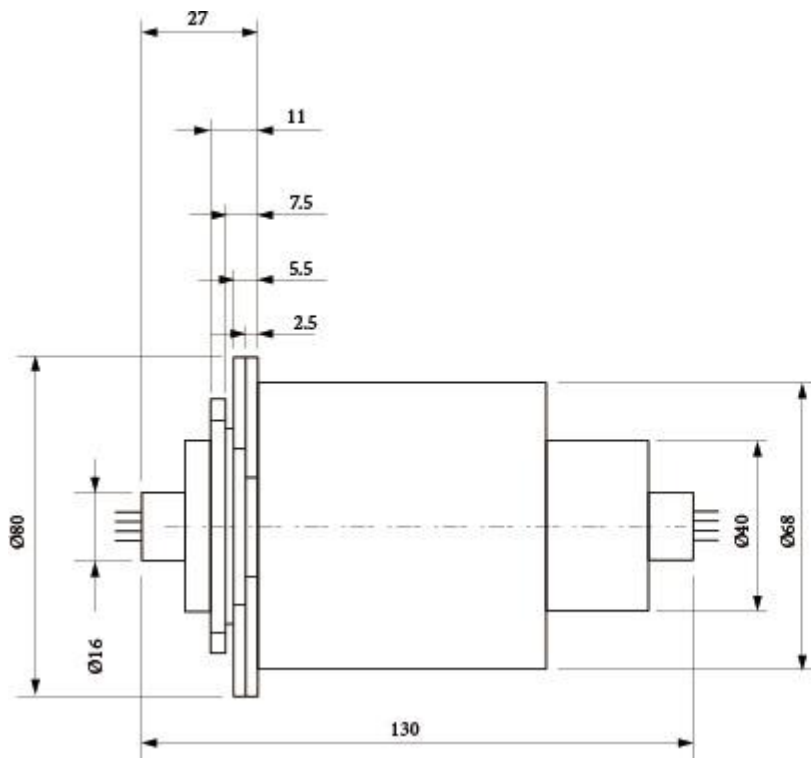
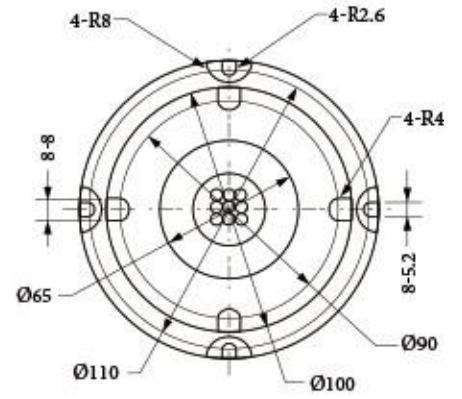
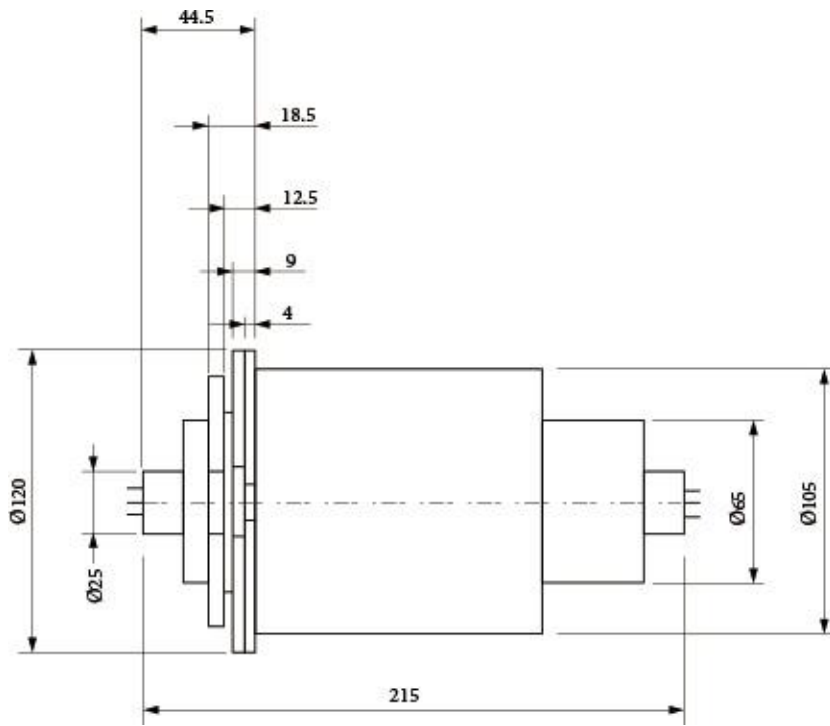


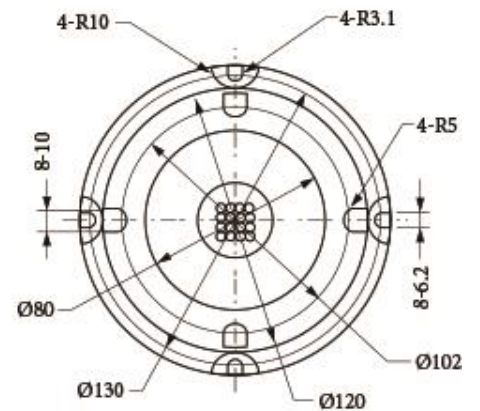
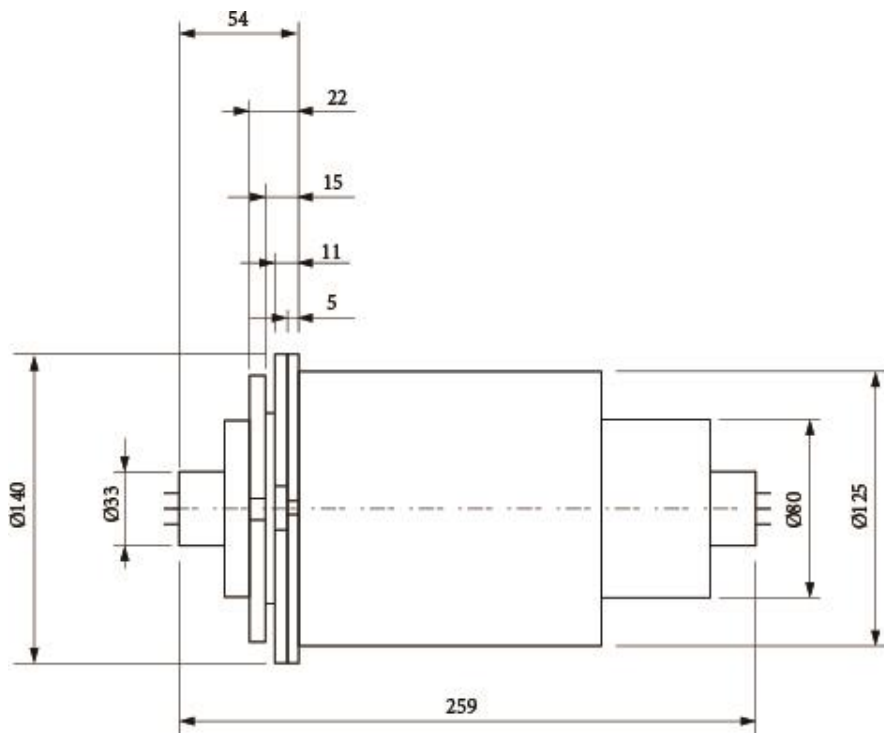
2-4 Core Series rotary connector



5-8 Core Series rotary connector



9-12 Core Series rotary connector



13-24 Core Series rotary connector

Specifications			
Wavelength Range	1310/1550 nm (Single) 850/1300 nm (Multimode)	Working Temperature	-45 to 65 °C
Insertion Loss	≤ 4 dB (Single) ≤ 3 dB ( Multimode )	Storage Temperature	-50 to 70 °C
Insertion Loss WOW	≤ 1.5 dB (Single) ≤ 1 dB ( Multimode )	Vibration	10-55 Hz, Amplitude 0.75 mm 55-500 Hz, Acceleration 10 g
Return Loss	≥45 dB (PC); ≥55 dB (APC) (Single)	Encapsulation	Ø3 Optical Output
Maximum Speed	100 rpm	Housing Material	Stainless Steel
Pulling Strength	10 N	Connector Types	FC/SC/ST/or Others
Start Up Torque	< 10 Ncm	Dimensions	Ø3 mm
Impact	50 g/11 ms	Weight	0.055 kg
Life Time	5 Million Revolutions	Operation IP Protection Level	IP65

Molexy reserves the right to change this Datasheet without notice!