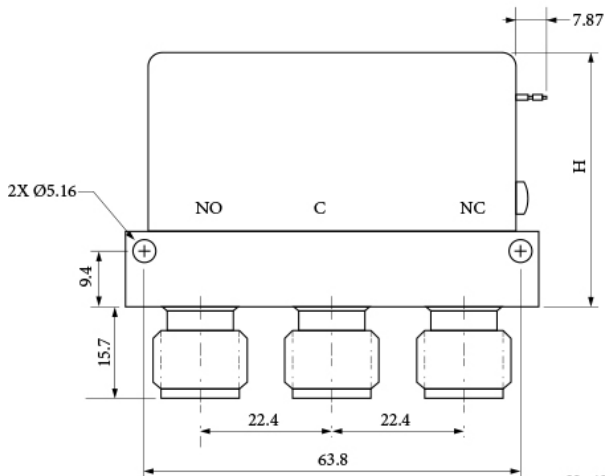
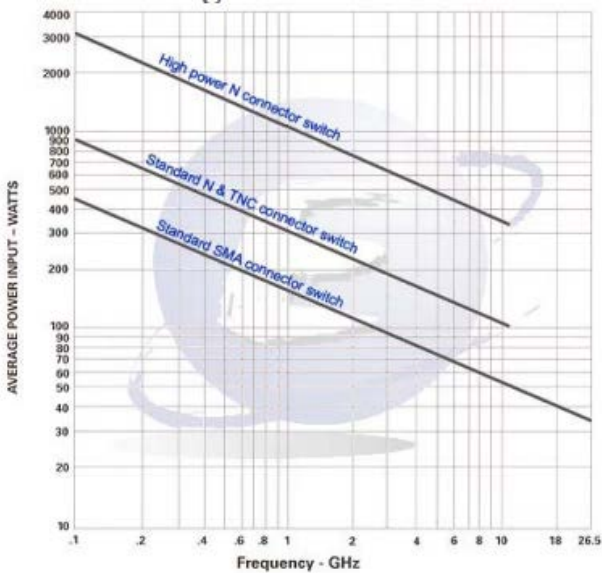
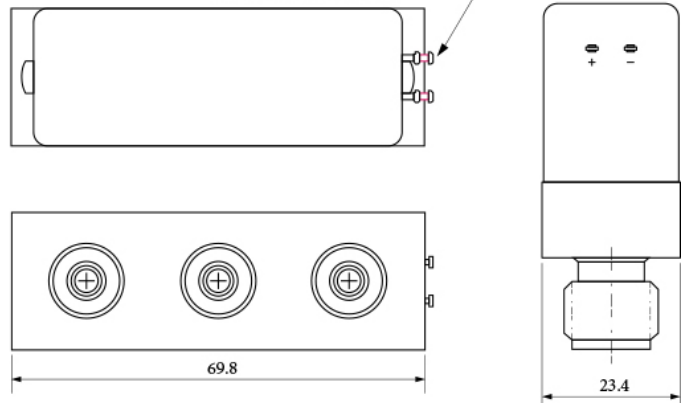


- N connector

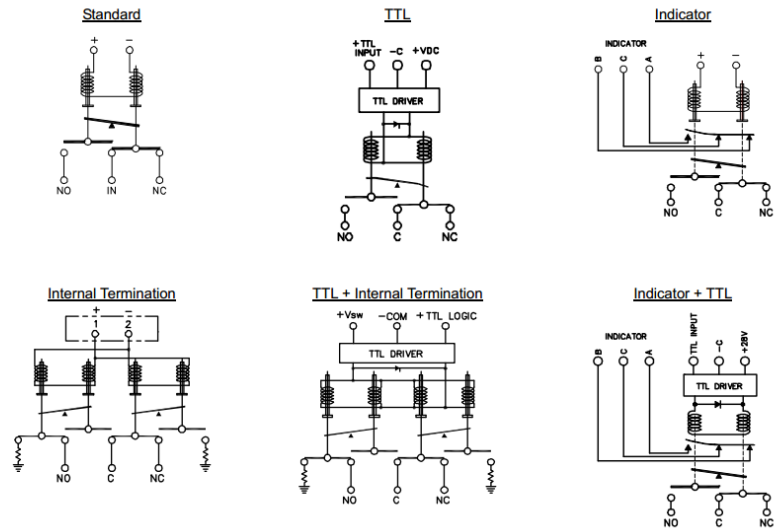


H=43 Max STD Model  
H=59.7 Max TTL Model

2X Solder Terminals, Solder Wire Using Sn63, Maximum Temp 210 C For No More Than 5 Sec.

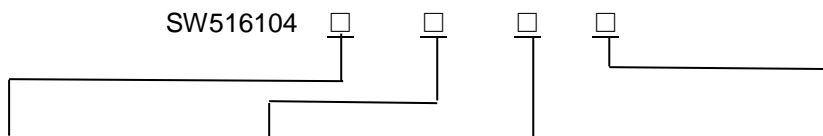


SPDT Failsafe Actuator



Part Number Selection

SW516104





**Actuator**

F:Failsafe  
L:Latching

**Indicators**

I: with Indicators  
D:default

**Control Options**

Default :D-sub Control  
PIN:Pin Terminal Control

**Actuator type**

A: Failsafe without Indicator  
B: Failsafe with Indicator

<b>Electrical Specifications</b>	
Operating Frequencies	DC to 12 GHz
VSWR	1.40 @ DC to 4 GHz 1.60 @ 4 to 8 GHz 1.80 @ 8 to 12 GHz
Isolation	60 dB @ DC to 4 GHz 60 dB @ 4 to 8 GHz 60 dB @ 8 to 12 GHz
Insertion Loss	0.4 dB @ DC to 4 GHz 0.45dB@ 4 to 8 GHz 0.5 dB @ 8 to 12 GHz
Actuator Voltage	12 VDC
Actuator Current	195 mA
Switching Time	15 MS
MTBF	1.0 Million Hours
Power Connector	ITT KPT02E12-10P Mating connector provided
Connectors	N(F)
Actuator type	A: Failsafe without Indicator B: Failsafe with Indicator
Options	TTL Driver -Available for all models
Operating Life MTBF	1 Million Cycles MIL-HDBK-217F Fixed, 25°C, <1 Cycle per hour
Characteristic Impedance	50 Ω (75 Ω available for SPDT upon request)
Operating Temperature	-25 to+65°C
Humidity	Moisture Seal Available
Shock	MIL-STD-202 Method 213,Condition D(500G Non Operation)

Molex reserves the right to change this Datasheet without notice!  
For special requirements,pls inquiry.